



# THE CROSSBOW STAND

*Instruction Manual*

## WARNING!

Remove quiver and/or all slings attached to your crossbow before using the rest to prevent serious injury or death. Fits most crossbows.

### ASSEMBLY:

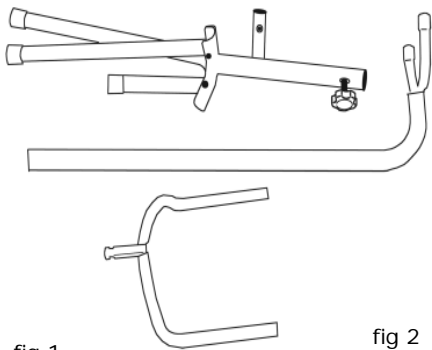


fig 1

Step 1: Remove CrossBow Stand from Pouch.

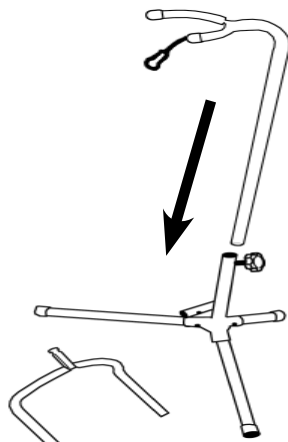


fig 2

Step 2: Insert upright stand into base. Twist knob to tighten.

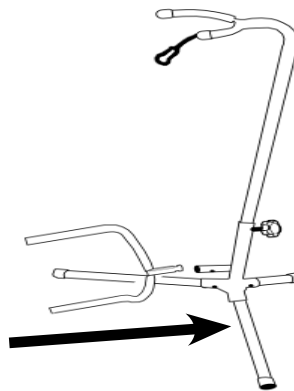
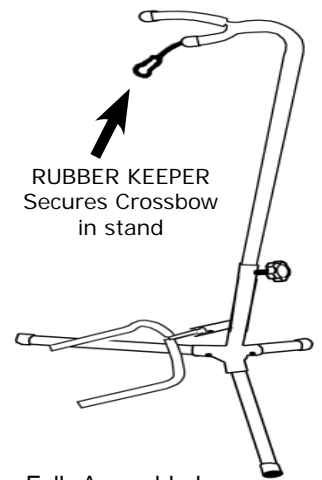


fig 3

Step 3: Insert bottom "U" shape holder (fig 3). After inserting into slot, twist into position.



RUBBER KEEPER  
Secures Crossbow  
in stand

Fully Assembled