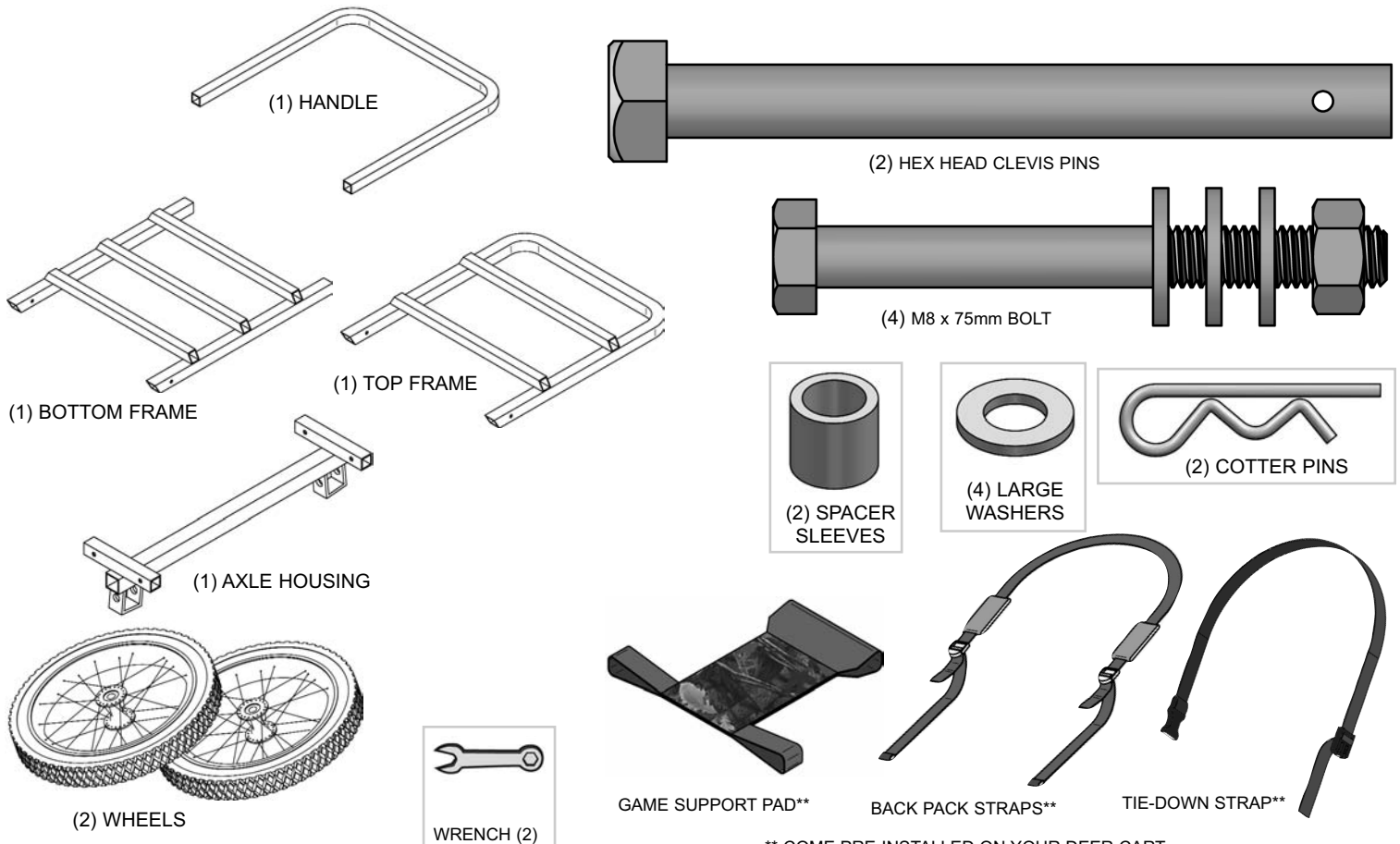
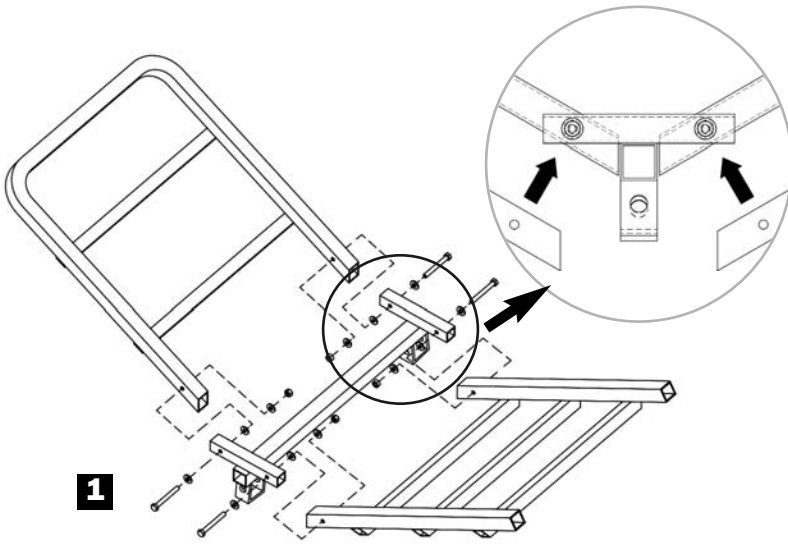


Model #7800B

! ! WARNING: Be sure to follow these guidelines for using this Product. **READ AND UNDERSTAND ALL INSTRUCTIONS and WARNINGS FIRST.** Any questions or confusion regarding use of this product contact our Customer Service Department at (810) 686-4035 before using.

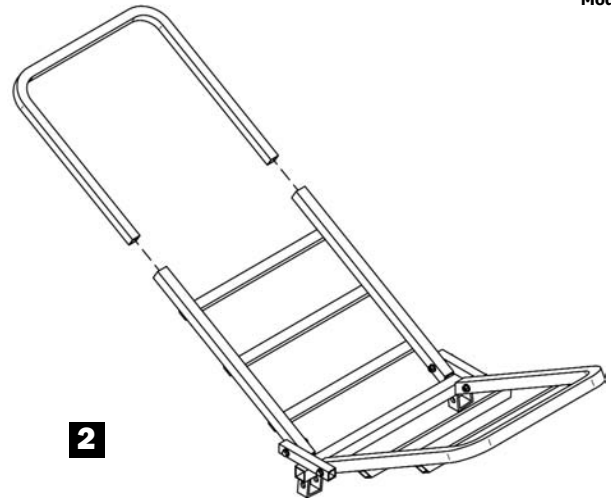
HARDWARE AND PARTS





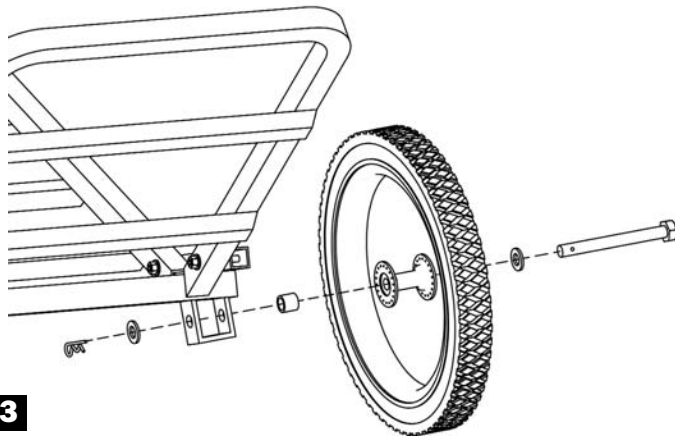
1

Step 1: Attach **BOTTOM** and **TOP FRAME** to **AXLE HOUSING** using (4) M8 x 75mm bolts (fig 1).



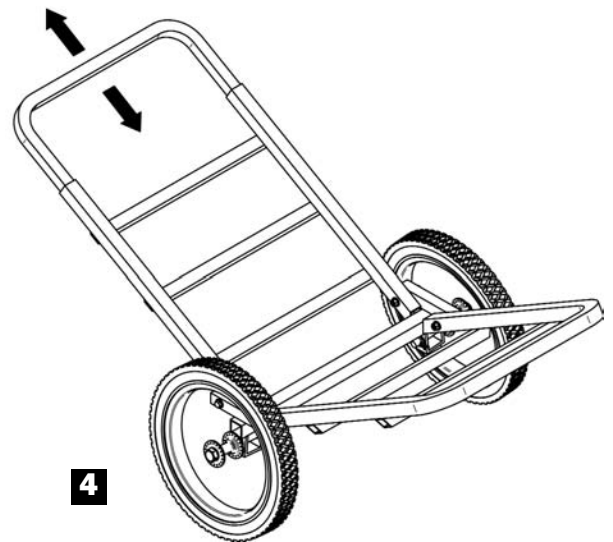
2

Step 2: Insert **HANDLE** into **TOP FRAME** (fig 2). Press locking buttons while sliding **HANDLE** in until buttons snap into adjustment holes.



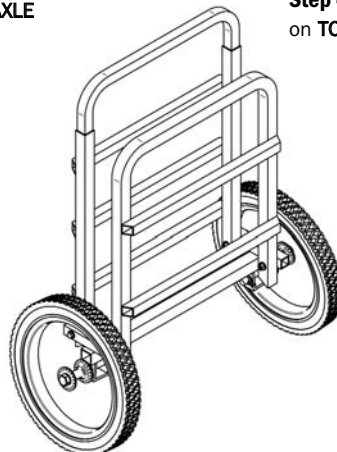
3

Step 3: Attach **WHEELS** to **AXLE HOUSING**. For each wheel, slide **AXLE**, (2) **LARGE METAL WASHERS**, and **SPACER SLEEVE** into **AXLE HOUSING** in the sequence (fig 3) and secure with **COTTER PIN**.



4

Step 4: Storing /Transporting Cart - Depress **LOCKING BUTTONS** on **TOP FRAME** and push down on end of **HANDLE** (fig 4).



5

Fold cart (fig 5). Your Non-Typical Deer Cart is now ready to either store or be backpacked.

Use Pre-installed straps to secure loads to cart.

⚠ Warning ⚠ Warning ⚠ Warning ⚠

THINK SAFETY !

- WEIGHT LIMIT OF THIS DEER CART IS 300 LBS.
- DO NOT tow Deer Cart behind motorized or non-motorized vehicles of any kind.
- DO NOT sit, stand or ride on Deer Cart.
- Watch fingers when folding and opening cart.
- Keep loose straps or clothing away from wheels.
- DO NOT exceed the weight limit of this cart.
- This cart IS NOT a toy.