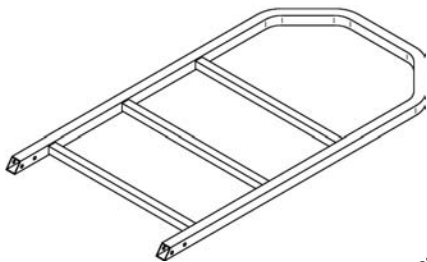


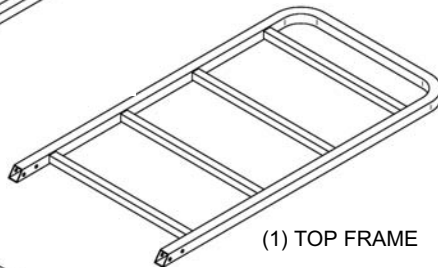
! ! WARNING: Be sure to follow these guidelines for using this Product. **READ AND UNDERSTAND ALL INSTRUCTIONS and WARNINGS FIRST.** Any questions or confusion regarding use of this product contact our Customer Service Department at (810) 686-4035 before using.

Model #9800D

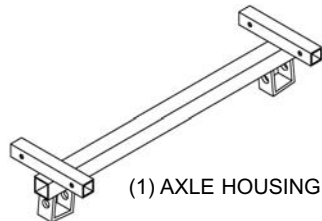
HARDWARE AND PARTS



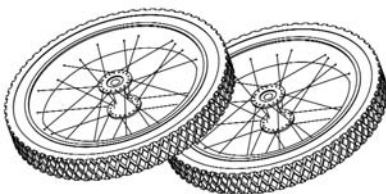
(1) BOTTOM FRAME



(1) TOP FRAME



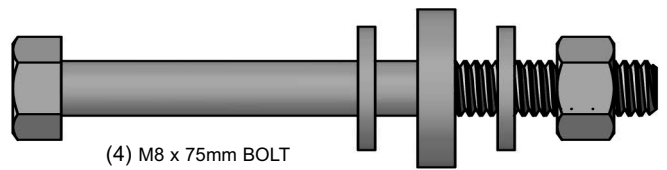
(1) AXLE HOUSING



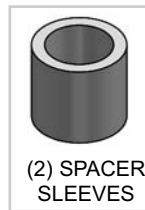
(2) WHEELS



(2) HEX HEAD CLEVIS PINS



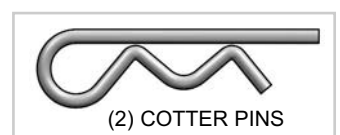
(4) M8 x 75mm BOLT



(2) SPACER SLEEVES



(4) LARGE WASHERS



(2) COTTER PINS



WRENCH (2)

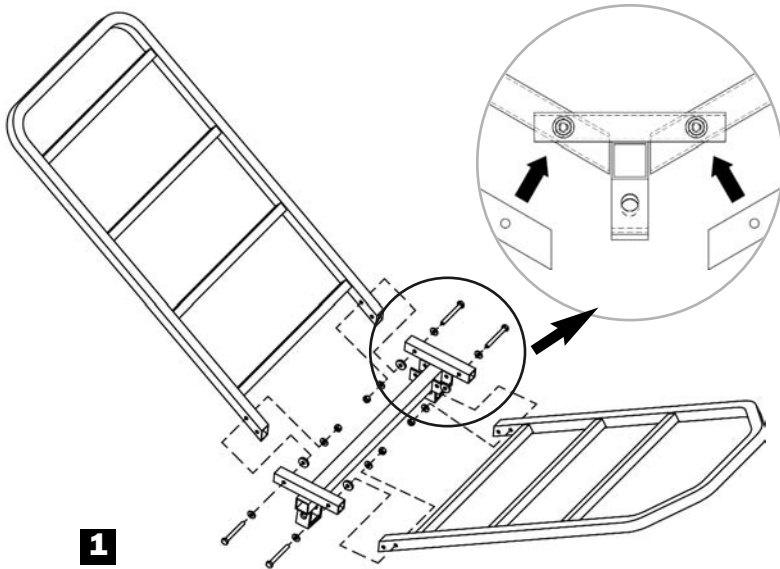


(4) D-CLIP



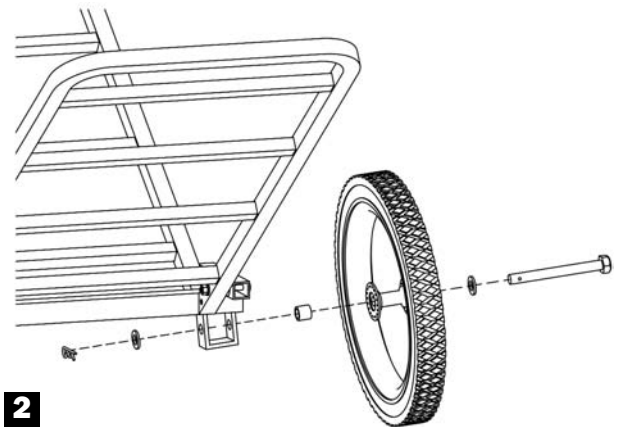
(3) TIE-DOWN STRAPS **

** COME PRE-INSTALLED ON YOUR DEER CART



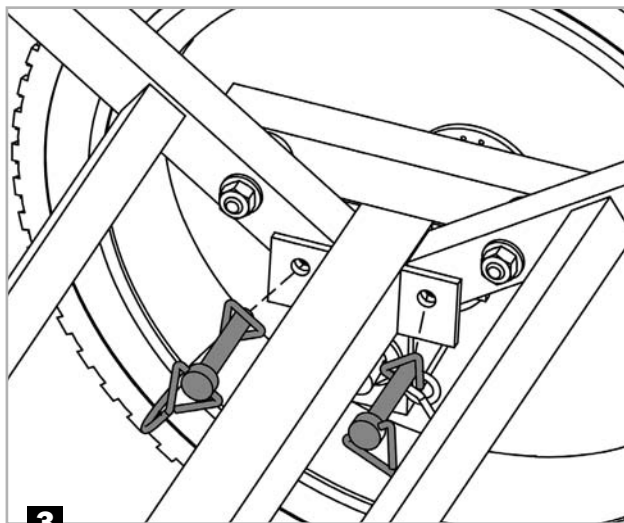
1

Step 1: Attach **BOTTOM** and **TOP FRAME** to **AXLE HOUSING** using (4) M8 x 75mm bolts (fig 1).



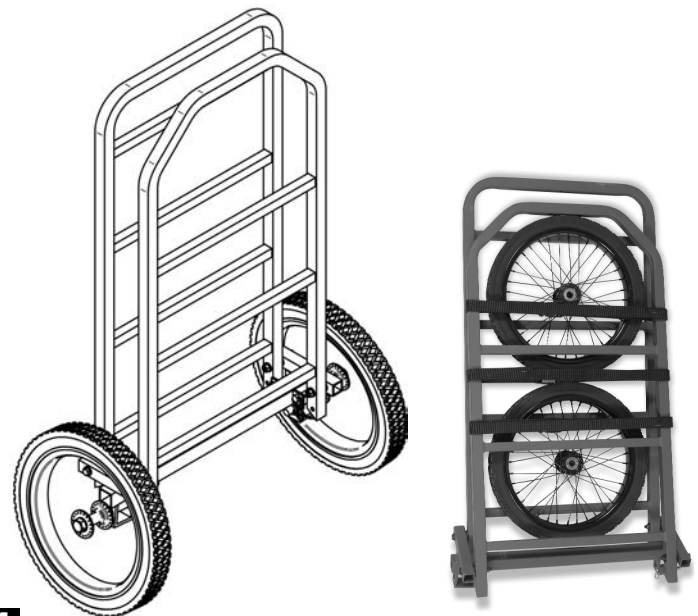
2

Step 2: Attach **WHEELS** to **AXLE HOUSING**. For each wheel, slide **AXLE**, (2) **LARGE METAL WASHERS**, and **SPACER SLEEVE** into **AXLE HOUSING** in sequence shown in (fig 2) and secure with **COTTER PIN**.



3

Step 3: To keep cart from folding up, insert (2) **D-CLIPS** through **TABS** on **AXLE HOUSING** and through **BOTTOM** and **TOP FRAMES** (fig 3).



4

Step 4: Storing / Transporting Cart – Remove D-Clips from **AXLE HOUSING** and fold cart Grizzly Deer Cart is now ready to store or transport.

Use the pre-installed tie-down straps to secure loads to the cart. Make sure not to exceed the manufacturer's maximum load rating of **300 lbs.**

⚠ Warning ⚠ Warning ⚠ Warning ⚠

THINK SAFETY !

- **WEIGHT LIMIT OF THIS DEER CART IS 300 LBS.**
- **DO NOT** tow Deer Cart behind motorized or non-motorized vehicles of any kind.
- **DO NOT** sit, stand or ride on Deer Cart.
- Watch fingers when folding and opening cart.
- Keep loose straps or clothing away from wheels.
- **DO NOT** exceed the weight limit of this cart.
- This cart IS NOT a toy.