



# LADDER BLIND CONCEALMENT

*Instruction & Safety Manual*



Model #9912  
Realtree® AP HD™

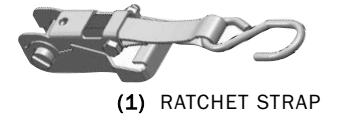
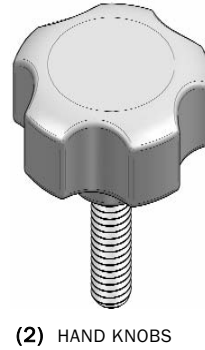
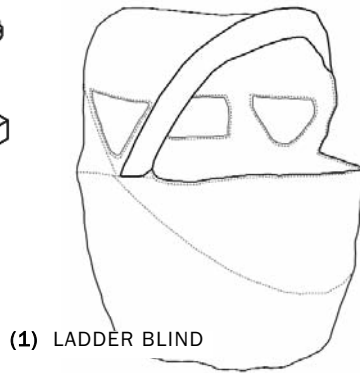
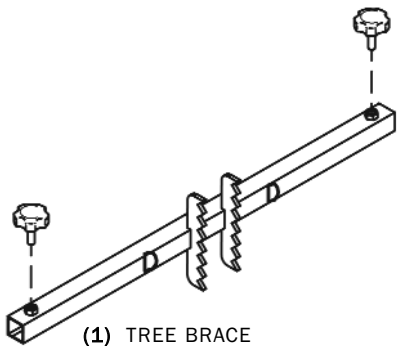
Be sure to follow these guidelines for using your Product.  
**READ AND UNDERSTAND ALL INSTRUCTIONS and WARNINGS FIRST**

**!** **CHOKING HAZARD** - MAGNETS ENCLOSED. Keep Small Parts Away From Children. Do Not Ingest or Inhale Magnets. Attraction of Magnets in the Body May Cause Serious Injury and Require Immediate Medical Care.

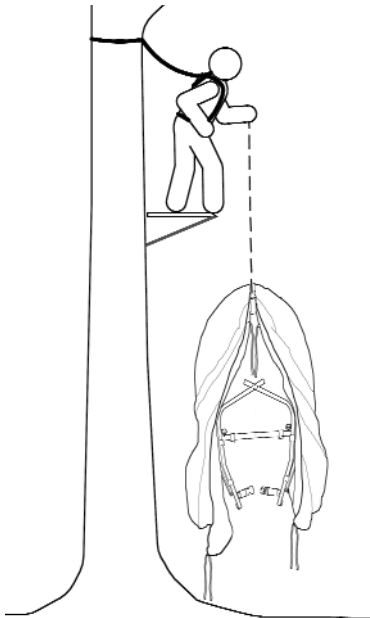
Any questions or confusion regarding the use of this product contact our Customer Service Department.

**SAFETY MUST BE FIRST PRIORITY WITH USE OF THIS PRODUCT**

# SET UP INSTRUCTIONS



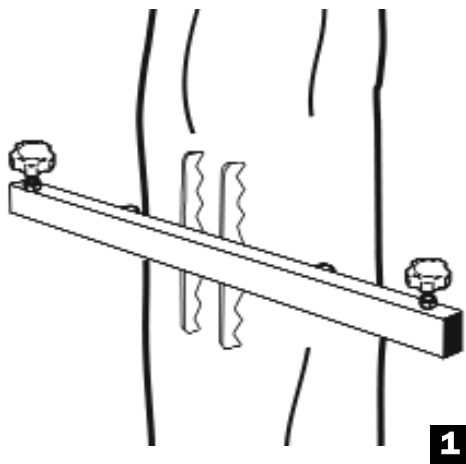
**⚠ ! Note:** Practice at Ground Level before attempting to install while in Tree/Ladder Stand.  
Always use a safety harness when at an elevated height. Be sure to follow all instructions & guidelines that were provided at time of purchase for harness in use.



**Step 1:** Remove your **LADDER BLIND** from Back Pack.

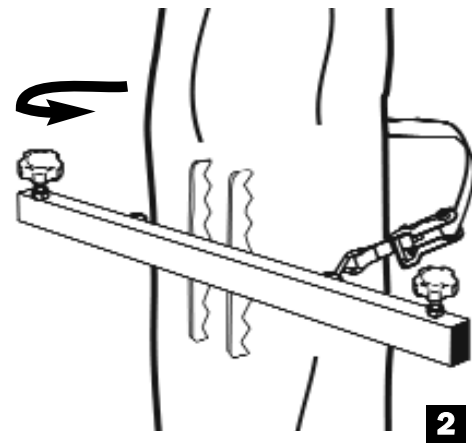
Use Hoist Rope to bring up Ladder Blind, Tree Brace and Ratchet Strap to Tree Stand. Attach hoist rope around the blind frame.

Be sure **TREE BRACE** and **RATCHET STRAP** are secured to your blind **BEFORE** hoisting to your elevated platform.



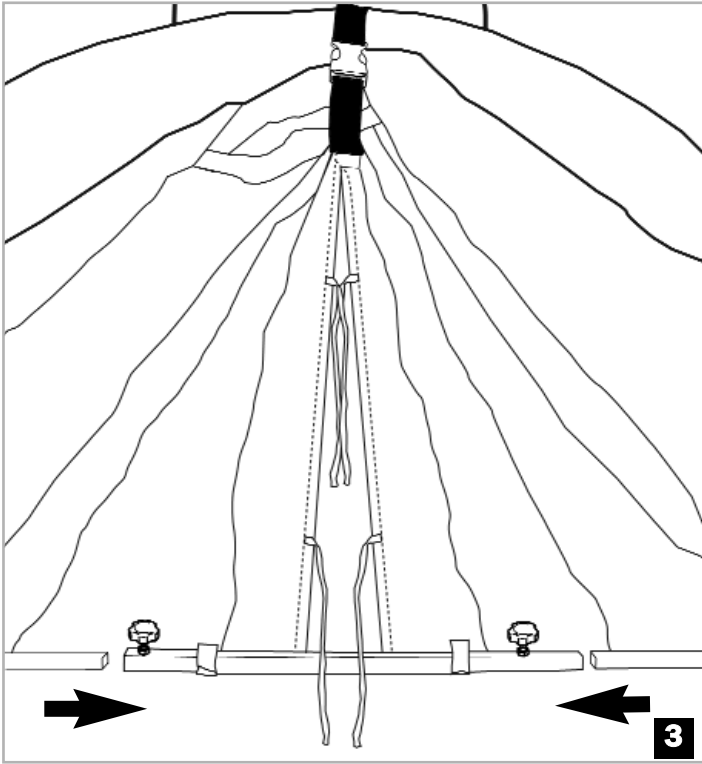
**Step 2:** Place **TREE BRACE** against tree with **TREE CONTACTS** against tree and **HAND KNOBS** facing upward.

Place just above back of **TREE/LADDER STAND SEAT OR SHOOTING RAIL**.



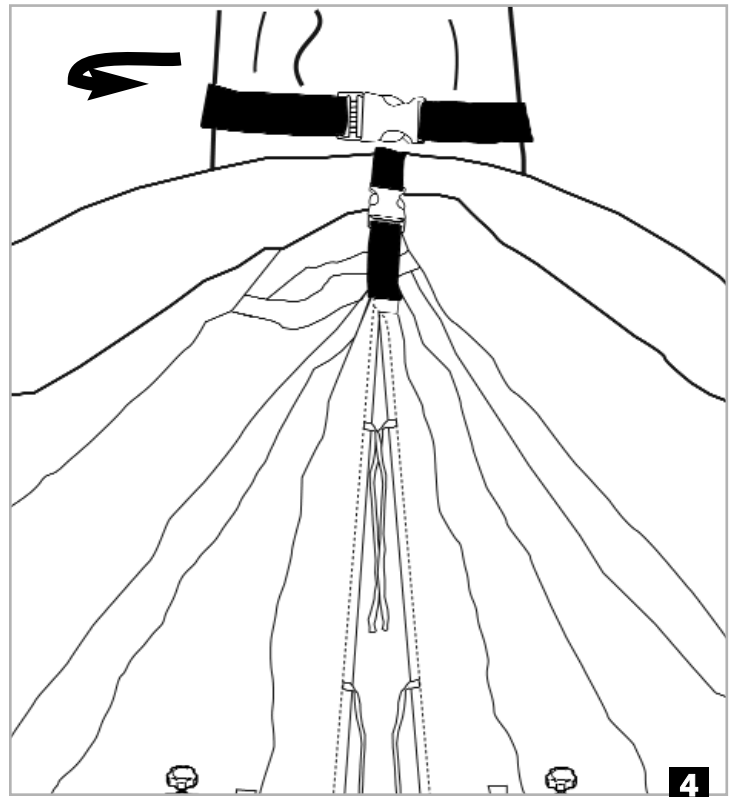
**Step 3:** Assemble Ratchet Strap. Place **RATCHET STRAP HOOK** into **TREE BRACE** and wrap around tree. Place hook into **TREE BRACE** on other side of tree. Tighten **STRAP** to take up slack.

**! ! Note:** BE SURE YOUR SAFETY HARNESS IS ATTACHED TO TREE.



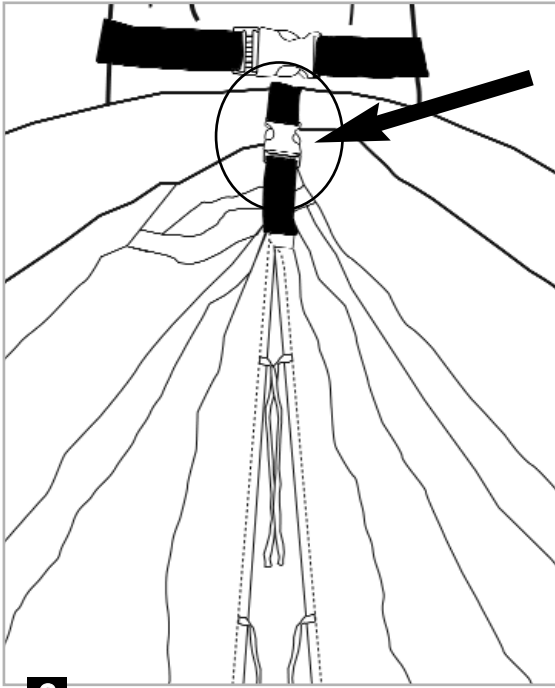
**Step 4:** Slide end of L-FRAME into TREE BRACE. while holding top of Blind against tree. Do the same to other side.

Adjust L-FRAME to desired width, then TIGHTEN HAND KNOBS to secure.

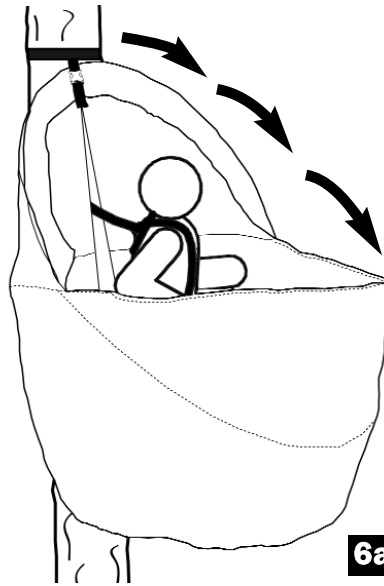


**Step 5:** Stand on TREE STAND PLATFORM, facing tree. Place top of tree blind against tree. Take QUICK CONNECT STRAP and wrap around tree and click on other side to secure.

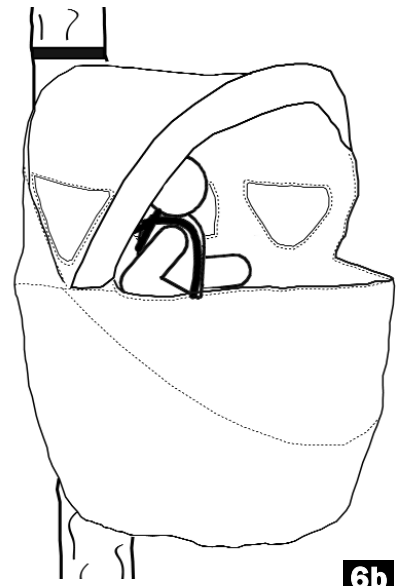
Tighten Strap to take up slack.



**6**

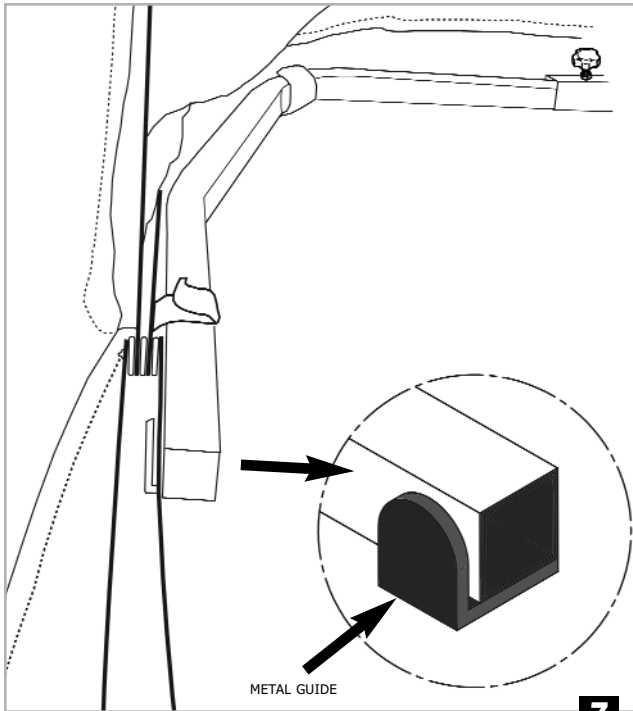


**6a**



**6b**

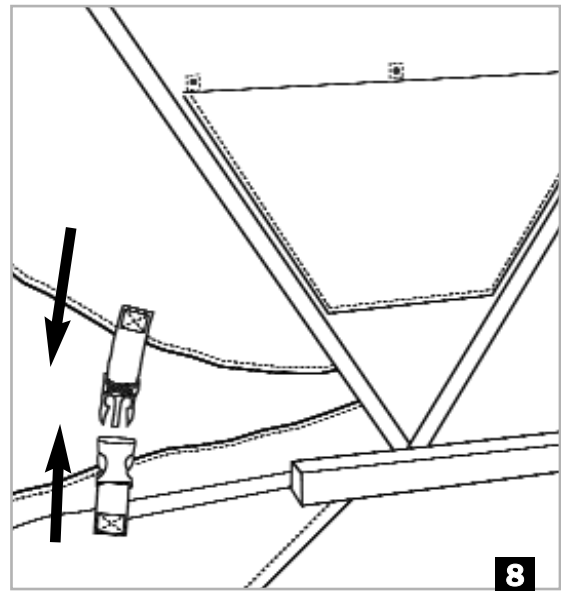
**Step 7:** While you are inside Blind **WITH YOUR SAFETY HARNESS ATTACHED TO TREE**. Unhook QUICK-RELEASE BUCKLE letting Blind fall forward. Unhook **QUICK-RELEASE BUCKLE** from around **BLIND FRAME**. Let **BLIND** fall forward (fig 6, 6a, 6b).



**7**

**Step 8:** Be sure **INNER-MOST STEEL BAND** inserts into **METAL GUIDE** on outer end of **L-FRAME** as **LADDER BLIND** is being lowered.

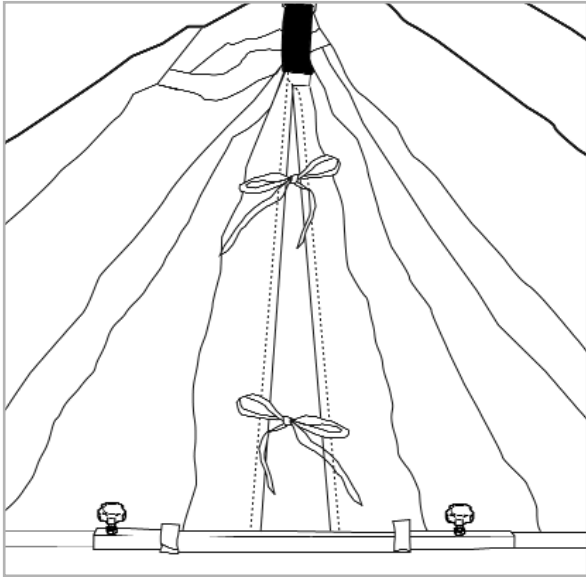
The **OUTER MOST STEEL BAND** SHOULD NOT TOUCH **METAL GUIDE** and should fall forward supporting Front bottom section of blind.



**8**

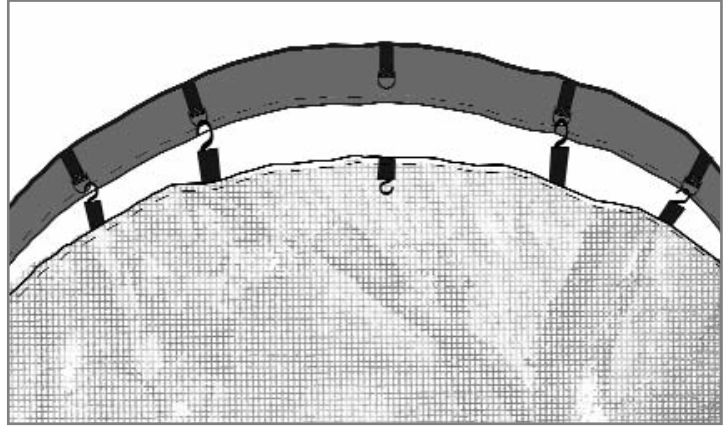
**Step 9:** Locate **QUICK-RELEASE BUCKLES** on each side. Click Buckles to secure. (fig 8).

This keeps top of blind secure when front mesh window is not in use



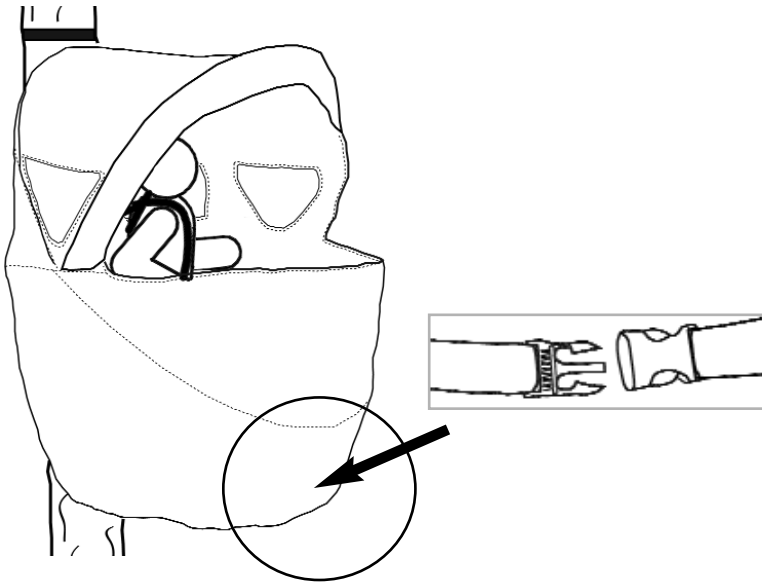
**Step 10:** Secure **BACK of BLIND OPENING** with ties. Secure **BLIND** with **Hook-n-Loop FASTENER** around **TREE BRACE AND L-FRAME**.

Additional ties are throughout inside of blind. These ties are used for securing blind to various types of tree stands and to **prevent wind flap**.

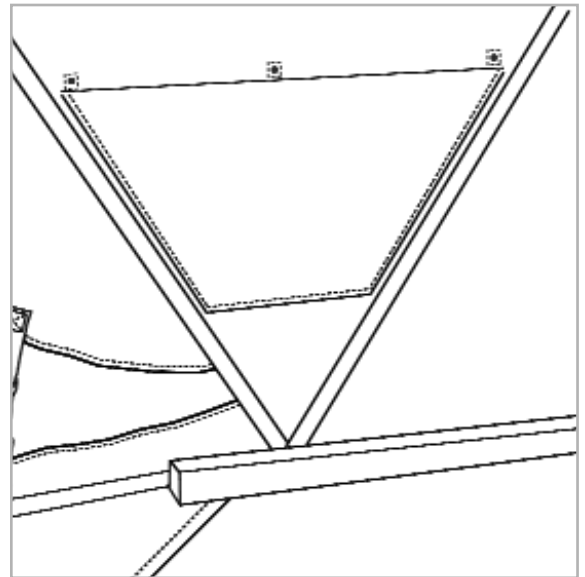


**Step 11 :** Secure **FRONT CAMO MESH** with Hooks to D-Rings.

The **FRONT CAMO MESH** can also be rolled down and secured with ties.



**Step 12 :** The **QUICK-RELEASE BUCKLE** located **INSIDE** of blind front is used to reduce the slack in fabric caused by various types of tree stands.



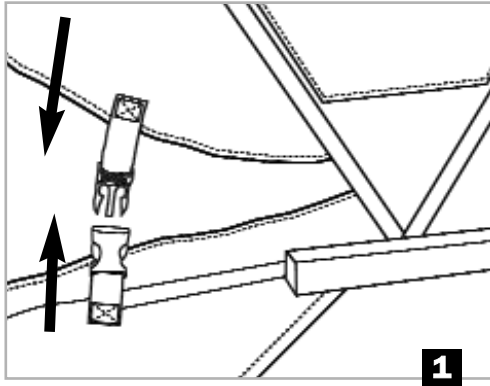
**Step 13 :** **SIDE and BACK WINDOWS** can be secured with Magnets. You have the option to have just the Camo Mesh or windows closed completely.

**! CHOKING HAZARD - MAGNETS ENCLOSED.** Keep Small Parts Away From Children. Do Not Ingest or Inhale Magnets. Attraction of Magnets in the Body May Cause Serious Injury and Require Immediate Medical Care.

## TAKE DOWN

**! Tip**

Be sure to remove all native brush, dirt and debris **BEFORE** beginning take down.

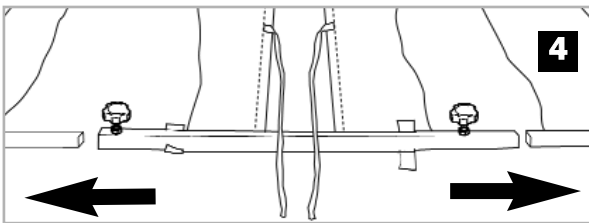


**STEP 1:** Undo **QUICK-RELEASE BUCKLES** on side of large front camo mesh window.

**STEP 2:** Fold **BLIND UP** towards tree and secure with **QUICK-RELEASE BUCKLES**.

**STEP 3:** Untie **ALL** ties. And **ONLY** the **TWO** Hook n Loop **FASTENER** on **TREE BRACE**.

**DO NOT** unsecure Hook-n-Loop on **L-BRACES**.

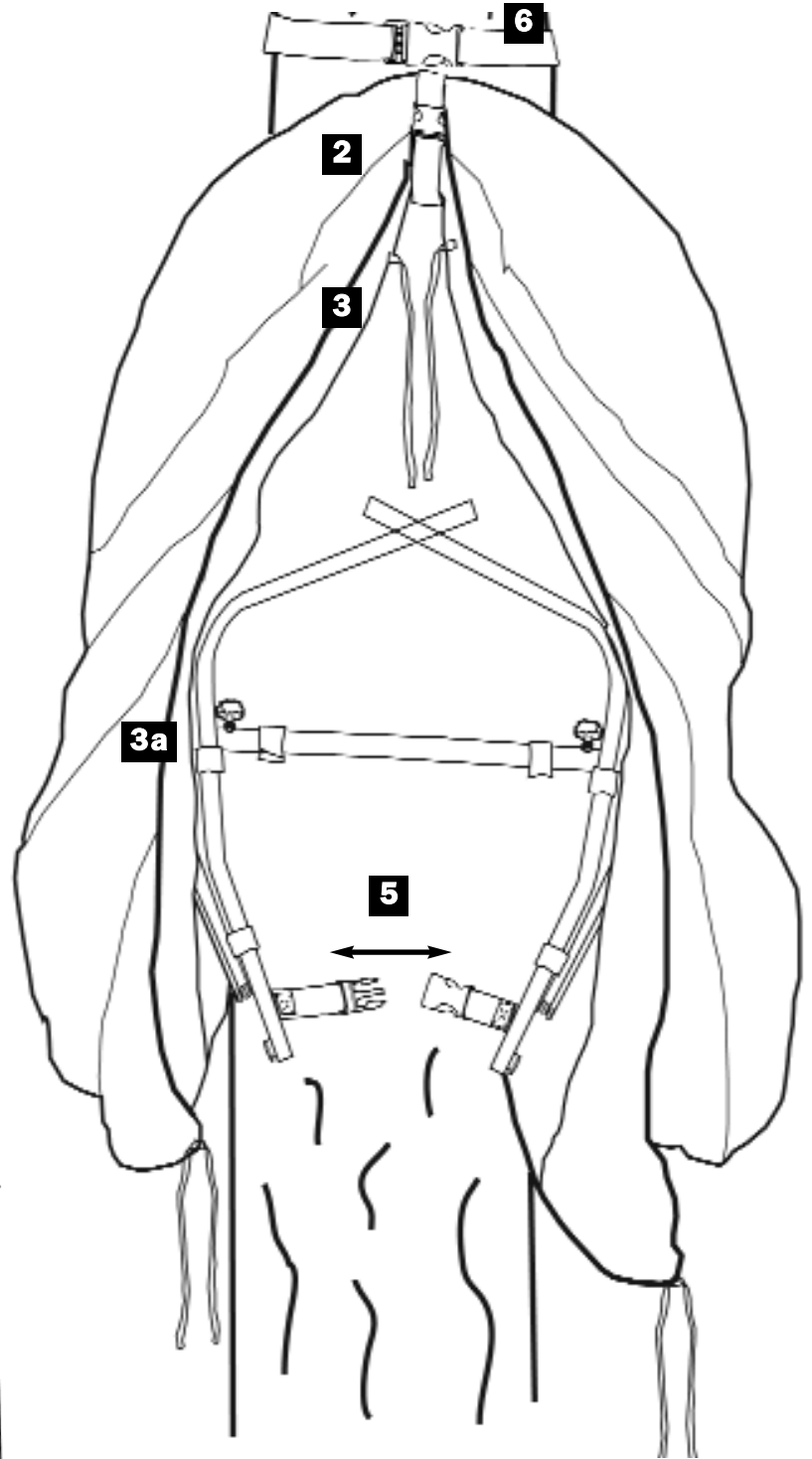


**STEP 4:** Loosen **HAND KNOBS**. Pull **L-BRACE** from **TREE BRACE**. Re-tighten Hand Knob. Do same to other side.

**STEP 5:** Secure **L-BRACES** with **QUICK-RELEASE BUCKLES**.

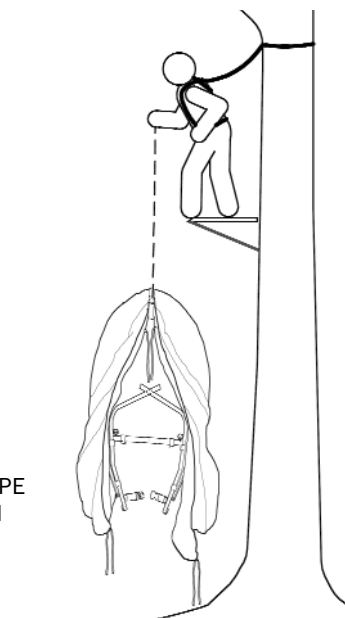
**STEP 6:** Undo **TREE STRAP** while supporting Blind.

**STEP 7:** Remove **TREE BRACE**.



**LADDER BLIND** should look like above when folded on Tree.

**STEP 8:** Attach **HOIST ROPE** around **BLIND FRAME** and lower towards ground.





Fully Closed with  
Large Front Camo Mesh Window



Large Front Window  
Open without Camo Mesh



Fully Open

\*\*Ladder Stand and Gear Not Included

**PLEASE NOTE:** Images used are for demonstration purposes only and may not depict the actual product.

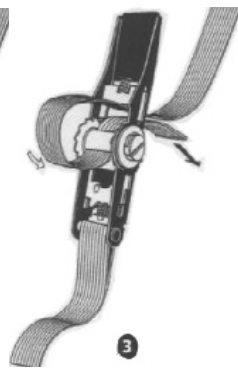
## RATCHET STRAP



**Step 1:**  
Open Ratchet handle flat, insert  
end of strap through opening.



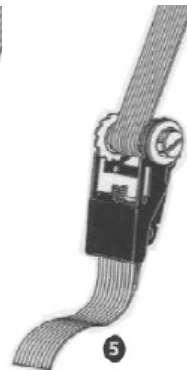
**Step 2:**  
Pull strap through opening



**Step 3:**  
Insert tag end of strap  
through slot in ratchet wheel.



**Step 4:**  
Ratchet handle back  
and forth to tighten strap.



**Step 5:**  
After strap is tight, close  
handle to the lock position.



**Step 6:**  
To release tension, push spring loaded  
retaining lock and simultaneously pull on  
strap.

**STORAGE TIPS**

- Store your Blind in a cool dry place - free native brush, dirt and any debris
- Never store your Blind wet or damp
- Avoid leaving your Blind outdoors for extended periods of time as it will cause unnecessary fading of the material if left in direct sunlight.
- To stop any leakage, use seam sealer on all seams and silicon spray on seams/sidewalls.



**WARNING**

**⚠ WARNING: KEEP ALL FLAME AND HEAT SOURCES AWAY FROM TENT FABRIC.**

The fabric will burn if left in continuous contact with a flame source. It is not fireproof. Do not use candles, matches or open flames of any kind in or near a tent; do not cook inside a tent; do not smoke in a tent; do not store flammable liquids inside a tent; build campfires downwind and several meters away from a tent and be sure to fully extinguish campfires before leaving a campsite or before retiring for the night; exercise extreme caution when using fuel-powered lanterns or heaters inside a tent and use battery operated lanterns whenever possible; do not refuel lamps, heaters or stoves inside a tent; extinguish or turn off all lanterns before going to sleep.

**⚠ Warning ⚠ Warning ⚠ Warning ⚠**

**THINK SAFETY !**

- NEVER USE A HEATER IN YOUR AMERISTEP® BLIND - UNVENTED FUMES COULD CAUSE SICKNESS OR DEATH
- NEVER EXPOSE YOUR BLIND TO ANY OPEN FLAME. THIS PRODUCT IS NOT FIREPROOF
- NEVER SHOOT THROUGH THE MESH WINDOWS WITH A FIREARM SPARKS OR FLAME FROM THE MUZZLE COULD IGNITE THE MATERIAL
- NEVER SHOOT EXPANDABLE BROADHEADS THROUGH MESH WINDOWS - THE MESH MAY CAUSE PREMATURE OPENING OF THE BLADES. USE FIXED BLADE BROADHEADS ONLY
- FOR BEST ARROW FLIGHT THRU MESH WINDOWS, ALIGN BROADHEAD BLADES WITH FLETCHING
- NEVER ALLOW CHILDREN TO PLAY WITH THIS PRODUCT WITHOUT ADULT SUPERVISION
- NEVER ALLOW MATERIAL TO COVER YOUR FACE. IT CAN CAUSE SUFFOCATION AND DEATH
- NEVER ALLOW ANYONE TO USE LIGHTED CANDLES, MATCHES OR OTHER SOURCES OF FIRE NEAR THIS PRODUCT
- **UV (ULTRAVIOLET LIGHT) WARNING:**  
Ultraviolet light breaks down lightweight fabric fibers (and almost any synthetic material). The material will fade (discolor), lose strength and eventually disintegrate if left in prolonged sunlight. To extend the life of your Ameristep® product avoid leaving it out in direct sunlight. Set up your portable ground blind or accessory in a shady spot whenever possible to extend the product life.
- **! CHOKING HAZARD - MAGNETS ENCLOSED.** Keep Small Parts Away From Children. Do Not Ingest or Inhale Magnets. Attraction of Magnets in the Body May Cause Serious Injury and Require Immediate Medical Care.

See our Full Line of Products, Accessories and Replacement Parts at:

